

XH-9000A

Title 1

XH9000A Petrol Chainsaw 55.6cc 2.7kW | 20" 24" Bar Professional Logging Saw

Title 2

XH9000A Gasoline Chainsaw Professional Wood Cutting Tool for Tree Felling & Logging

Main image + Secondary image:









XH9000A Professional Gasoline Chainsaw High Efficiency Cutting Tool for Heavy Duty Logging Tree Cutting and Garden Use

Technical Parameters:

Model	XH9000A
Rated Power	2.7 kW
Displacement	55.6 CC
Engine Type	1E46F
No-load Speed	12500 r/min
Starter Type	Single-cylinder air-cooled two-stroke
Customized Service	OEM/ODM Available
Guide Bar Size	20" / 24" (Optional)
Chain Pitch	3/8-7
Starting System	Hand-pulled recoil-type rapid start-up
Fuel Requirement	Unleaded gasoline (≥92#) + 2-stroke oil (25:1 mix ratio)
Fuel Tank Volume	0.65 L
Oil Tank Volume	0.32 L
Gross Weight	8.5 kg
Net Weight	7.2 kg
Package Dimensions	54 × 52 × 32 cm



High-Power Gasoline Chainsaw:

High-power gasoline chainsaw Professional performance, affordable cost, full certification, reliable supply chain, ideal for households, farms, forestry and fire services across Europe and America.

High-power 2.7kW engines deliver fast cutting for Holzarbeit, taglio del legno, corte de madera, jardinage, giardinaggio, jardinería and tuinonderhoud.

Customs Declaration

Parameters:

Place of Origin	Jinhua, Zhejiang, China
Model	XH-9000A
Product Name	Gasoline Chainsaw
Application	Tree felling and logging in forest
G.W.	8.5kg
N.W.	7.2kg
Color	Red and Gray
Packing Carton	Standard Export Carton
Packing Size	54×52×32CM
HS	84678100
PQ	2 pc/ctn
Material	Aluminum and Plastic

60 Deepened Cylinder

More Powerful Performance

Longer Service Life



60 Deepened Cylinder:

More Powerful Performance Longer Service Life

Unmatched Power, Built to Last with Our 60cc Gas Chainsaw!

This heavy duty gas chainsaw features a premium 60 deepened cylinder design, delivering explosive power for all your logging, firewood cutting, and tree trimming tasks. The upgraded cylinder boosts engine performance while extending the service life of the chainsaw, so you can tackle thick logs with smooth, fast cuts every time.

Ideal as a professional logging chainsaw or a reliable tool for homeowners, farmers, and outdoor workers—engineered for efficiency, durability, and

consistent performance in the toughest conditions.

24-Hour Non-Stop Working

Efficient Airflow & Heat Dissipation
Runs Non-Stop Without Stalling



24-Hour Non-Stop Operation:

24-Hour Non-Stop Working Efficient Airflow & Heat Dissipation Runs Non-Stop Without Stalling

Our **gas powered chainsaw** features an upgraded **efficient airflow and heat dissipation system**, keeping the engine cool even during continuous heavy use. This **heavy duty chainsaw** runs smoothly 24/7 without overheating or stalling, so you can power through large-scale logging, firewood processing, and all-day outdoor jobs without downtime.

Built for non-stop performance, this **professional chainsaw** is your reliable workhorse for long shifts and tough cutting tasks.

1-second brake

Quick Stop Brake

Push the guard back,
instant stop within
1 second.



1-second brake Quick Stop Brake:

Push the guard back, instant stop within 1 second.

Our gas chainsaw is equipped with a quick stop chain brake system, a critical safety feature for every cutting job. Simply push the front guard back, and the chain stops instantly within 1 second. This safety chainsaw design prevents kickback injuries and keeps you protected during logging, tree trimming, and firewood cutting tasks.

Built with user safety in mind, this heavy duty chainsaw gives you peace of mind whether you're a professional logger or a homeowner tackling DIY projects.

QUICK & EASY START SYSTEM

Large Rope Pulley for Effortless,
One-Pull Instant Ignition



Quick & Easy Start System:

Large Rope Pulley for Effortless One-Pull Instant Ignition

Our **gas chainsaw** features a **quick & easy start system** with a large rope pulley design for effortless one-pull ignition. No more repeated, tiring pulls—just instant start with minimal effort, even in cold weather or after long periods of storage. This **easy start chainsaw** gets you to work faster, whether you're cutting firewood, trimming trees, or clearing brush.

Perfect for users of all strength levels, this **gas powered chainsaw** eliminates startup frustration so you can focus on the task at hand.



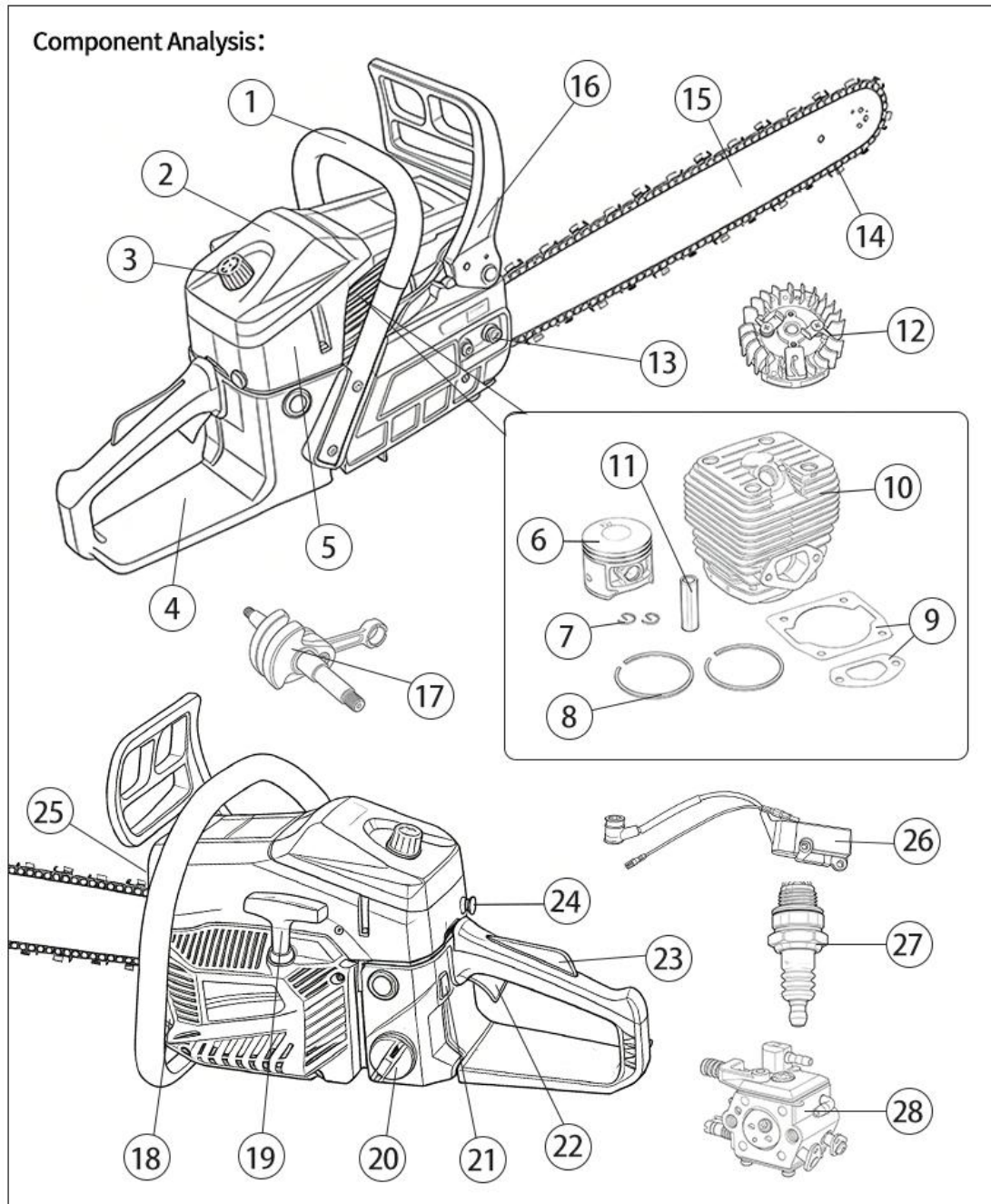
Easy Cutting of 60cm Diameter Logs:

Large Rope Pulley for Effortless One-Pull Instant Ignition

Our **gas chainsaw** delivers powerful cutting performance, easily slicing through **60cm diameter round logs** with smooth, fast cuts. Designed for heavy-duty logging and firewood processing, this **large cutting capacity**

chainsaw handles thick timber effortlessly, saving you time on even the biggest jobs.

Perfect for anyone who needs to fell large trees or process bulk firewood, this **heavy duty chainsaw** is built to power through the toughest logs.



Accessories List:

- 1.Front Handle / Top Handle
- 2.Air Filter Cover
- 3.Air Filter Nut
- 4.Fuel Tank Assembly
- 5.Engine Housing
- 6.Piston
- 7.Circlip / Retaining Ring
- 8.Piston Ring
- 9.Cylinder Gasket
- 10.Cylinder
- 11.Piston Pin
- 12.Magneto Flywheel
- 13.Brake Plate Nut
- 14.Chain
- 15.Guide Bar
- 16.Brake Plate Assembly
- 17.Crankshaft
- 18.Oil Tank Cap
- 19.Starter Assembly

20.Fuel Tank Cap 21.Rocker Stop Switch 22.Throttle Trigger 23.Safety Control Arm 24.Choke Lever 25.Muffler 26.Ignition Coil Assembly 27.Spark Plug 28.Carburetor

Pre-Use Safety & Preparation

Wear protective gear (gloves, goggles, boots). Inspect the 1-second quick stop brake and chain tension. Fill the tank with mixed fuel (gas + 2-stroke oil) and chain lubricant. Ensure the gas chainsaw is in good working order.

Start-Up Procedure

Turn on the fuel switch and choke. Pull the quick & easy start system rope to start. Warm up for 30 seconds, then close the choke and let it idle smoothly.

Cutting Operation

Grip the handle firmly. Start the chain and feed it into the wood slowly for steady cuts. In case of chain pinch, release the throttle immediately and use the quick stop brake to halt instantly—never force the saw.

In-Use Maintenance

Let the heavy-duty gas chainsaw run continuously with efficient heat dissipation to prevent overheating. Refill chain oil regularly to keep the chain lubricated for smooth wood cutting.

Shutdown & Storage

Let it idle briefly before shutting off. Allow cooling, then clean sawdust and the chain. Store the unit in a dry, ventilated area away from children and flames.

Key SEO Keywords Covered:

gas chainsaw, heavy-duty gas chainsaw, 1-second quick stop brake, quick & easy start system, wood cutting chainsaw, chainsaw operation guide



Xinghu Power Machinery Co., Ltd.:

Yongkang Xinghu Power Machinery Co., Ltd. is a professional manufacturer specializing in the R&D, production, and export of high-quality forestry and garden machinery. With over 20+ years of experience, we focus on delivering durable, powerful tools like our heavy-duty gasoline chainsaws, designed to meet the demands of logging, firewood cutting, and outdoor work worldwide.

Our factory, located in Yongkang, China (the "Hardware Capital"), is equipped with advanced production lines and strict quality control systems, ensuring every chainsaw meets international standards for performance and safety. We are committed to providing cost-effective, reliable power tools for professionals and DIY users across the globe.

OUR CERTIFICATE

Welcome to our website

EPA

ASF

EURO5

GSG

WHY CHOOSE US

Welcome to our website

FACTORY

Our company has its own factory, which covers a wide area and has strong production capacity and convenient transportation

PRODUCT QUALITY

Our products have passed the international multi-quality inspection standards

OUR TEAM

Our company has professional production technicians and pre-sales customer service staff

TECHNOLOGY

We use advanced technology and production processes at home and abroad

Globally Certified Quality & Safety:

Our chainsaws meet the strictest international standards, backed by certifications including **ISO, EPA, CE, ASF, EURO5, and GSG**. These approvals ensure our products comply with global safety, emission, and performance regulations, so you can use them with confidence anywhere in the world.

From design patents to EU conformity declarations, every product undergoes rigorous testing to meet multi-national quality inspection requirements.

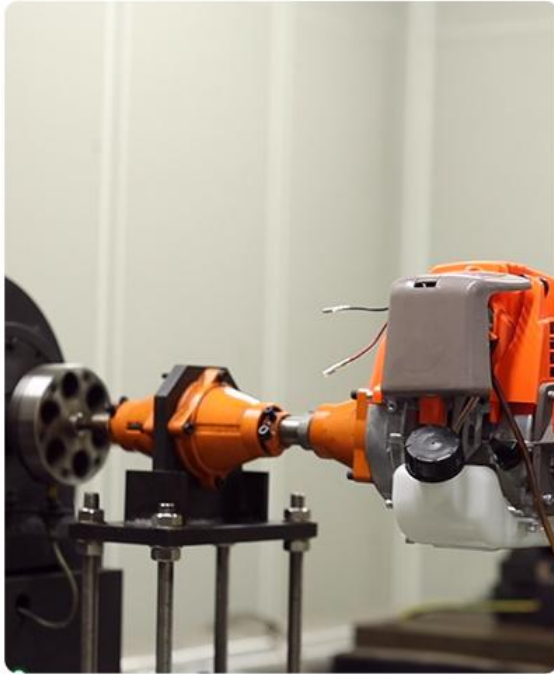


Full Production & Supply Chain Capacity:

- ✓ Full-Cycle Manufacturing from Tooling to Dispatch
- ✓ In-House Testing & Quality Control for Every Chainsaw
- ✓ Large-Scale Warehousing for Fast Order Fulfillment
- ✓ Full Spare Parts Inventory for Reliable After-Sales Support
- ✓ Streamlined Dispatch & Global Shipping Capabilities

Testing Laboratory

Professional testing laboratory with complete equipment, strict quality control to ensure stable and reliable products.



Testing Laboratory:

Professional testing laboratory with complete equipment, strict quality control to ensure stable and reliable products.

Strong Supply Chain: Stable production, fast delivery, full accessories, OEM/ODM supported for European importers and distributors.



In the Canton Fair



Xinghu at Canton Fair:

Connecting with global buyers, showcasing premium gasoline chainsaws & garden machinery.

Trusted by clients from Europe, America and beyond — your reliable partner for professional garden tools.

Welcome to Contact Us:

Mobile/Wechat/WhatsApp: +86 15268682136

Email: alice@cnxinghu.com

Official Website: <http://www.cnxinghu.com>

FAQ

Q: What is the MOQ?

A: Different product has different MOQ. Usually our MOQ is 2-300 Pieces.

Q: Can you do OEM?

A: We are warmly welcome OEM.

Q: How about the quality of your products.

A: We can promise that we are one of the best quality makers, Our products' quality is good depends on the skill and good materials.

Q: Time of the delivery?

A: Usually 4-20 days depends on the quantity.

Q: How can I contact you?

A: Add: No.368 Huaxia Road, Great Wall Industrial Zone, Yongkang, Zhejiang, China

Mobile/Wechat/WhatsApp:

+86 15268682136

Email: alice@cnxinghu.com <http://www.cnxinghu.com>